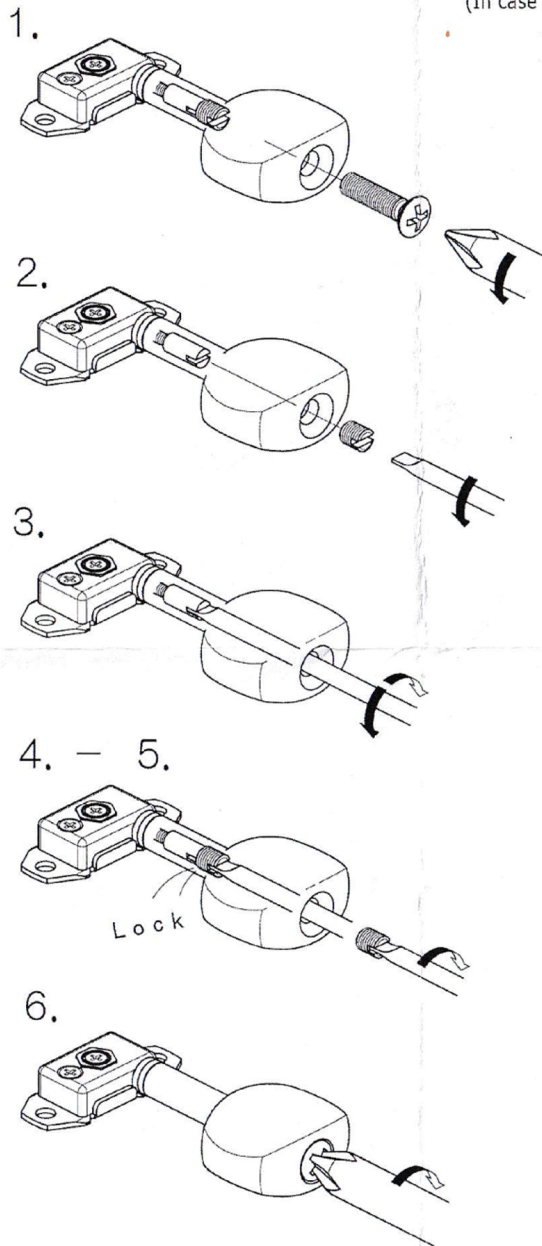


Torque adjustment of STEALTH-KEYS.

(In case of SB6 button, No button screw is used. Please refer right side.)



After long time use of "Stealth-Keys", button torque heaviness is getting decreased because of abrasion of washers etc.. The worm gear may have backlash if it is kept leaving. When decrease of torque heaviness is felt, adjust it as per the following process.

Torque adjustment of STEALTH-keys

1. Take off the button screw ① by Philips-head screwdriver.
2. Take off the nut fixing screw ② (for stop loosening) by flat head screwdriver.
3. Turn the torque adjusting nut ③ by flat head screwdriver to adjust for suitable torque feeling.
4. Turn the nut fixing screw ② by flat head screwdriver till it touches the torque adjusting nut ③.
5. Tighten the nut fixing screw ② and fix the torque adjusting nut ③.
6. Fix the button screw ① and tighten it until the button is firmly fixed.

Caution : Use flat head screwdriver of 2mm diameter.

- ① Button screw (M2.6)
- ② Nut fixing screw (M2.6) (For stop loosening)
- ③ Torque adjusting nut (M1.4)

GOTOH®

